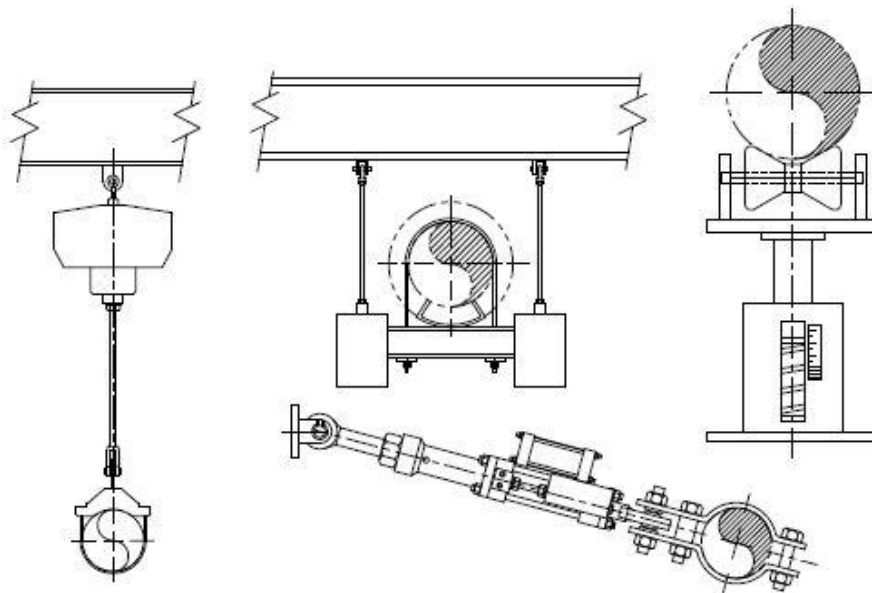


SAFETY CONSIDERATIONS AND THE INSPECTION, ADJUSTMENT AND INSTALLATION OF PIPE SUPPORTS, RESTRAINTS AND SNUBBERS



June, 2016

INTRODUCTION

The care and maintenance of pipe supports, including restraints and snubbers, and the associated visual inspections and preservation steps such as painting and lubrication. In some instances, the above categories can represent significant tasks requiring a commitment of substantial resources in terms of equipment, planning and man-hours. Due to the size and location of some support assemblies, effective training and relative safety precautions should be considered essential prerequisites for the above activities. This notice provides examples of common failures as well as recommendations to minimize various hazards. Although primarily developed for the non-nuclear power industry, there are clear parallels to other process industries.

Case studies presented herein represent some example accounts of safety incidents.

W

In

... in the ...

... involve the age of the support and to some extent the design, in this sense, applies to not only a specific location, but also the product line features.

Other spillover consequences associated with these items will be detailed, along with general and specific examples of untimely failures.